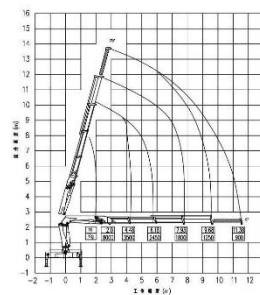
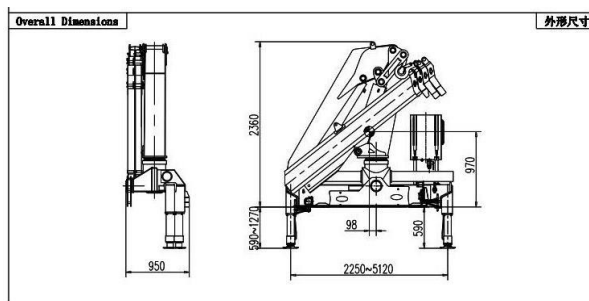


Basic Information	
Vehicle brand	SHENHU
Outline size(LxWxH) (mm)	9500*2500*3850
Rated load(kg)	15tons
Release year (not used)	2023
Model	HLQ5250EQ6WD
Cargo inline size(LxWxH) (mm):	5000*2500*700
Empty mass (Kg):	15500
Engine Information	
Power/displacement (HP/ML)	260HP/8300ML
Manufacture	CUMMINS Diesel engine with water cooling
Transmission information	
Transmission Box	Mechanical
Transfer gear	Mechanical 2-step
Chassis Information	
Axle load(kg)	6500/12000/12000
Max speed (km/h)	90
Front suspension(mm)	1250
Rear suspension(mm)	3100
Front track(mm)	2015
Rear track(mm)	1860/1860
Approach angel (°)	17
Departure angle (°)	12
Wheelbase(mm):	4350+1300
Tire	3 axles
	6X6 system
	central differential lock
	11.00R20
	6+1(spare)
Truck Platform	Height 70 cm
	Metal
	Side and rear sliding boards
Steering	Hydraulic power steering
	Left Side
Brake	Air brake
Cabin	2 doors ,3 people with bed, Air-condition
	Equipped with 6.5tons winch, 30M 15mm wire rope, Control-from Cabin.
Special function	



Crane capacity (KG)	8 tons folding arm booms with grapper (logs to load)
Max Working height	12M
Lifting capacity at minimum	3500KG
Load moment	110 kn
fire extinguisher	2
Distance of supports in working condition	5m
Rotation angle	360°
Maximum launch	9.68M
Lifting capacity at maximum outreach	1250kg
Arrow lifting angle (°)	75





15 YEARS

Successful Business



15
YEARS

Successful Business



+995 32 255 10 50



office@senaauto.com.ge



www.Senaauto.ge



226, Agmashenebeli Alley 0131 Tbilisi, Georgia